

# keep living



## Indivo - stylish and comfortable kitchens

Pressalit Care is expanding its Indivo kitchen range with a manual lift for most types of worktops. Emphasis is on functionality and safety, while simple operation makes it easy to adjust the height of the worktop. The solution incorporates the renowned Indivo design and the elegant telescopic leg covers in aluminium.

The manual lift is the practical solution for users, carers and family members who need to adjust the height of the worktop frequently.

Contact us if you have any questions. We are always happy to offer inspiration and guidance so you can design the kitchen that suits precisely your requirements.

[www.pressalitcare.com](http://www.pressalitcare.com)

Pressalit Care's new manual lift for worktops enables you:

- to easily adjust the kitchen layout to suit the needs of different users – standing and seated, children and adults.
- to adjust the height of the worktop precisely.



# keep living



Pressalit Care's manual lift for worktops consists of 2 wall-mounted telescopic legs, 1 cross brace, a minimum of two brackets, a drive axle and a crank lever for adjusting the height of the worktop. The worktop should be 650 to 700 mm wide in order to provide sufficient legroom for a seated user.



The crank lever makes it easy for all users to adjust the kitchen worktop and the manual lift has a maximum vertical adjustment range of 300 mm.



If you want to mount a worktop fascia, you should make sure it is at least 100 mm high to conceal the drive axle and the crank lever connector.



When not in use, the crank lever can be stored under the worktop in the accompanying holder.

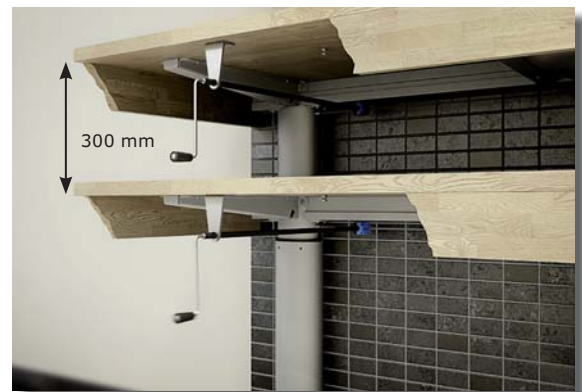
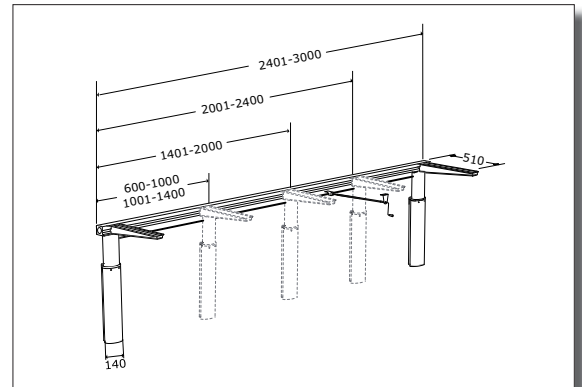
Pressalit Care A/S  
Pressalitvej 1 · DK-8680 Ry  
A division of Pressalit Group A/S  
Tel: +45 8788 8777  
E-mail: mail@pressalitcare.com

## The new manual lifts for worktops

The manual lifts for worktops include telescopic legs, brackets, drive axle, cross brace, crank lever and crank lever holder. The crank lever connector can be placed in an alternative location, however, not under a sink or a cooking zone.

### Item no. Description

RK1110	Length: 600 - 1,000 mm (2 brackets)
RK1111	Length: 1,001 - 1,400 mm (2 brackets)
RK1112	Length: 1,401 - 2,000 mm (3 brackets)
RK1113	Length: 2,001 - 2,400 mm (4 brackets)
RK1114	Length: 2,401 - 3,000 mm (5 brackets)



The manual lifts are 300 mm height adjustable – from 680 mm to 980 mm (measured from the top edge of the bracket when mounted at the recommended height).

### Accessories for RK111X:

- RK1043: Installation cover
- RK1044: Brackets for fitting of fascia
- RK1050: Cable tray for worktop lifts, 2,000 mm
- RK9061: Flexible feed/waste system



Scanflex Ltd  
2 Thursby Road  
Croft Business Park  
Bromborough  
Wirral CH62 3PW  
United Kingdom  
t: +44 (0) 151 343 1523  
f: +44 (0) 151 343 1514