



MISSISSIPPI Swing Wash Basin

A wash basin that moves to suit the user and carers needs. Improves hygiene and dignity by moving the basin within reach of a person in a wheelchair or on a toilet. Height adjustable to meet the needs of different users. Carers can move the basin away to create space for safer transfer.

- Oval shaped basin for access from the front or sides.
- Polyurethane material insulates, is soft to touch and cannot break if knocked.
- Flexible plumbing is integrated within the arm.
- Small rooms are made accessible by movement of the basin.

MISSISSIPPI Swing Wash Basin

MISSISSIPPI swing wash basin delivered with flexible feed pipes, flexible waste and trap. All integrated into the unit.

Item 40-41110



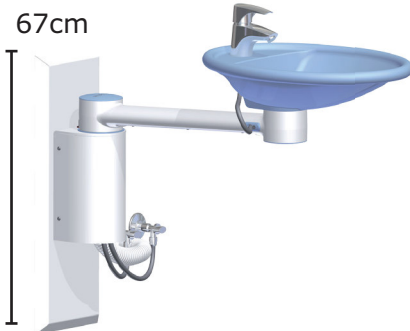
Water installation next to the unit.

Item 40-41120



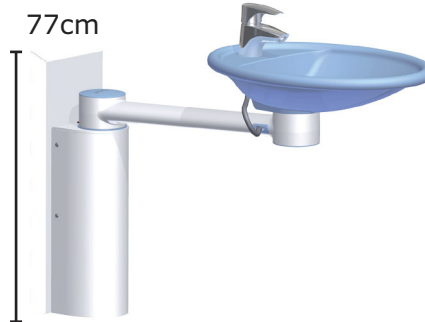
Water installation underneath the unit, hidden by cover.

Item 40-41130

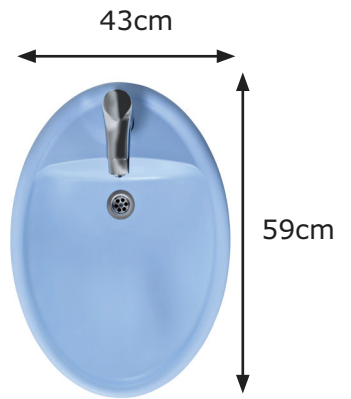


Water installation next to the unit.
Height adjustable 15cm.

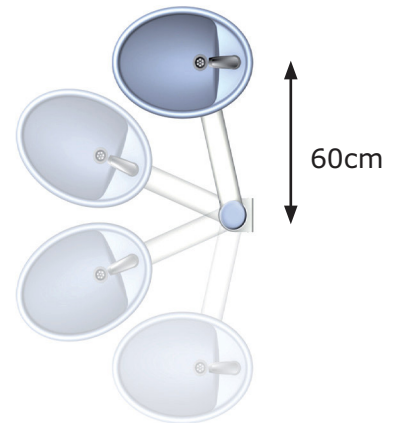
Item 40-41140



Water installation underneath the unit, hidden by cover.
Height adjustable 15cm.



The wash basin has an elliptic shape - the material is soft.



The arm swings 180°
The basin swings 180°
The flexible design makes the basin accessible from both sides.

The wash basin can be moved to wash hands before returning to wheelchair. This improves hygiene and self-reliance.



The height adjustment of 15cm on models 40-40130 / 40-40140 is by means of a removable winding handle. The height can occasionally be adjusted for different users.

MISSISSIPPI Swing Wash Basin

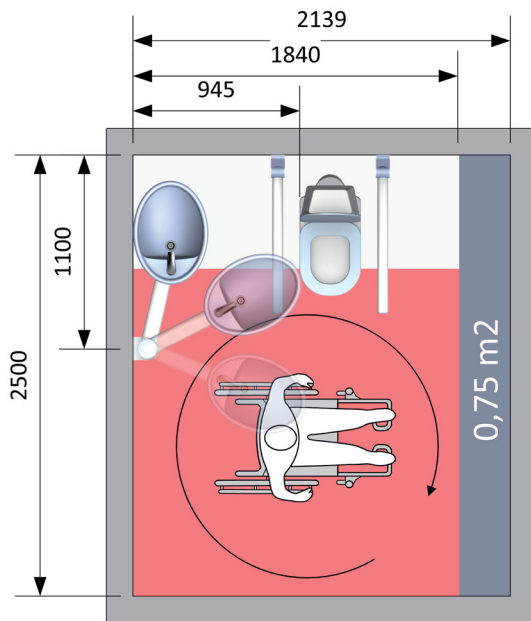
Space saving advantages

- In bathrooms designed for wheelchair access, space has to be allowed for turning, transferring and helping.
- Large bathrooms can sometimes give a cold, institutional feel.
- When using the Mississippi Swing Wash Basin, bathrooms can be smaller and still meet demanding space requirements.
- The smaller bathrooms bring a cost saving which is a major factor in construction of new buildings.
- When altering existing homes to meet wheelchair users requirements, small rooms that normally would be impossible to use - can be made accessible.

Below examples of space saving when using the Mississippi Swing Wash Basin

Toilet for the independent user

Where manual and electric wheelchair can be applied

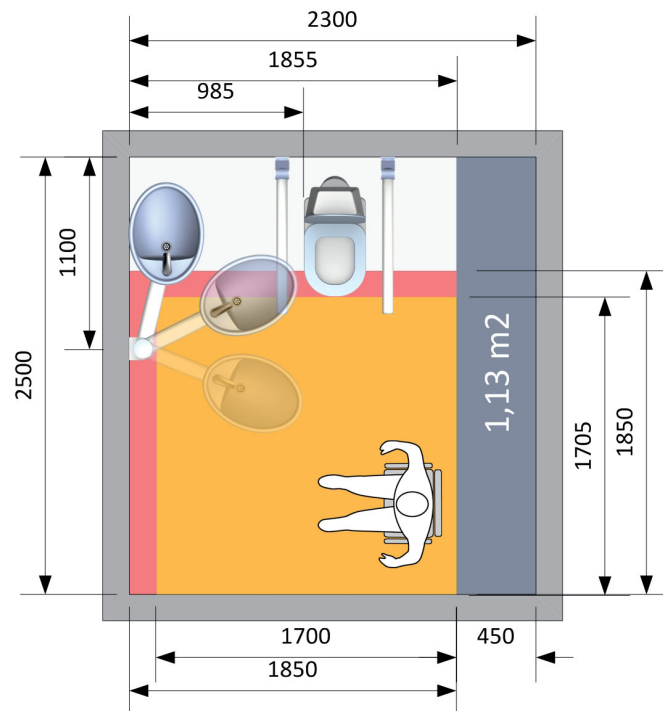


Turning area 1850 x 1850 mm for manual and electric wheelchair

Potential space saving by using Mississippi Swing Wash Basin

Bathroom for the independent user

Where manual and electric wheelchair and also shower seat can be applied



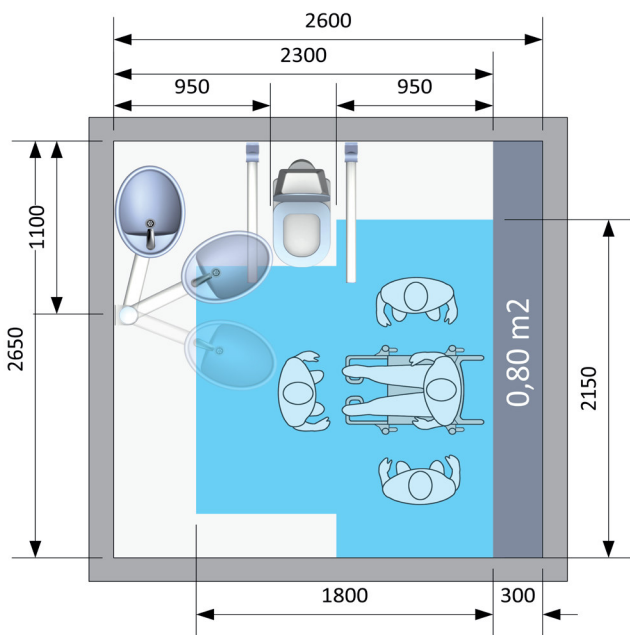
Turning area 1850 x 1850 mm for manual and electric wheelchair

Shower area 1700 x 1700 mm

Potential space saving by using Mississippi Swing Wash Basin

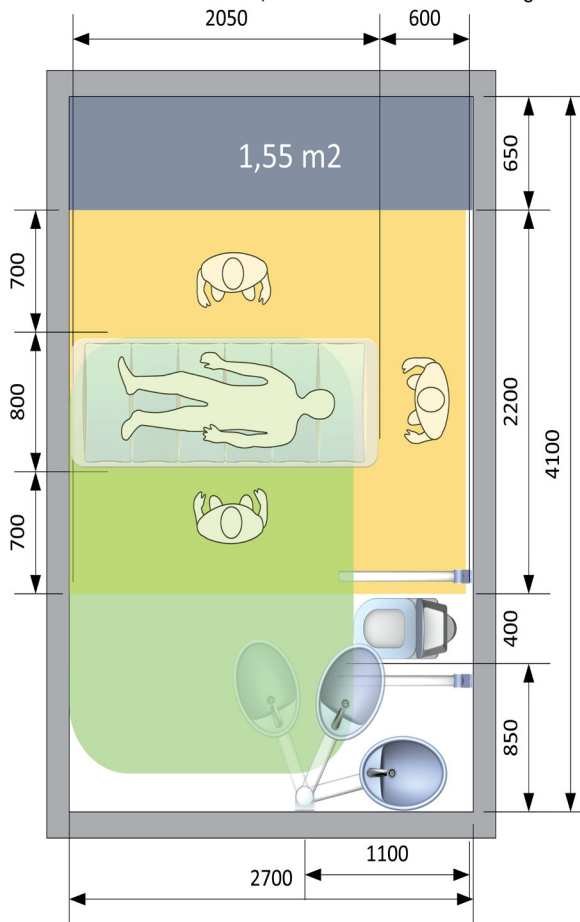
Space saving

Bathroom for the care dependent user Where comfort wheelchair and shower chair can be applied

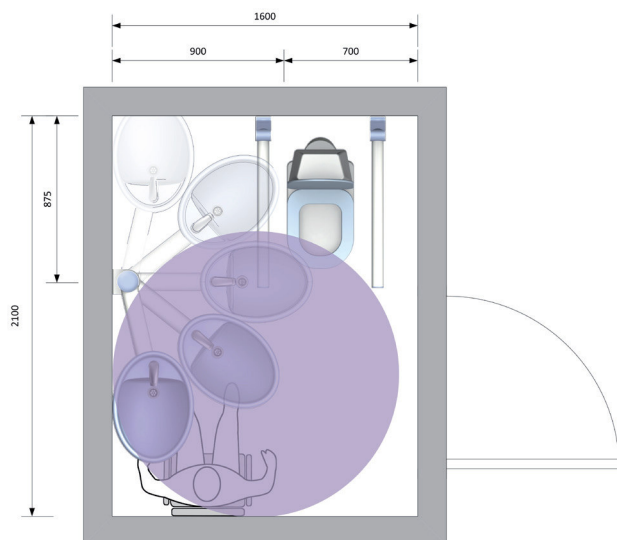


- Free space for shower chair and assistant 750 mm on both sides and 850 mm in front of the bath chair
- Potential space saving by using Mississippi Swing Wash Basin

Bathroom for care dependent user Where comfort wheelchair, mobile shower bed and ceiling hoist can be applied



- Free space for mobile shower bed and assistants
- Free working space for ceiling hoist and sling application in comfort wheelchair in active position
- Potential space saving by using Mississippi Swing Wash Basin



In this size bathroom a standard fixed basin would obstruct wheelchair access alongside the toilet making the bathroom impossible to use. Using the Mississippi, transfer space can be moved between the toilet and the shower seat and the basin can be used independently at any point along its arc

ROPOX Tips

- When placing the Mississippi in a room, consider the type of transfer required to the toilet. From the right/left or straight on: independent or with help.
- Height adjustable versions are optimal in situations with different users.
- The tap of the wash basin needs 1,5 bars of pressure.
- Contact us with your room plans, for more ideas.



Scanflex Ltd.,
2 Thursby Road,
Croft Business Park
Bromborough
Wirral CH62 3PW
United Kingdom
t: +44 (0) 151 343 1523
f: +44 (0) 151 343 1514
e: info@scanflex.co.uk
www.scanflex.co.uk