



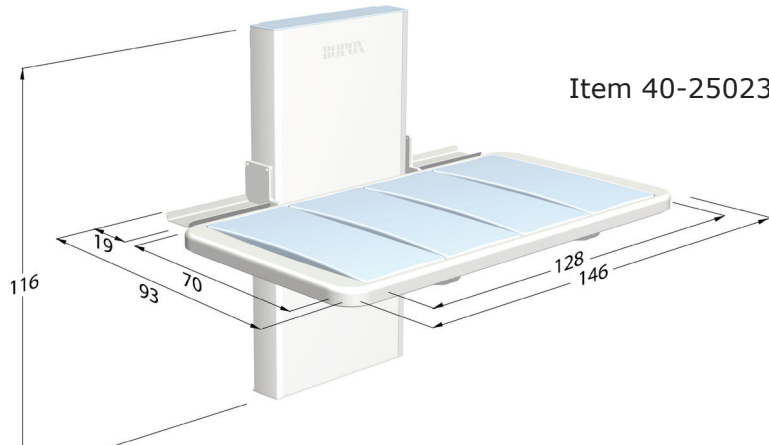
HUDSON Changing and Shower Bed

Electric height adjustment from 30-100cm.
Fast, safe bathing and changing in a lying position.

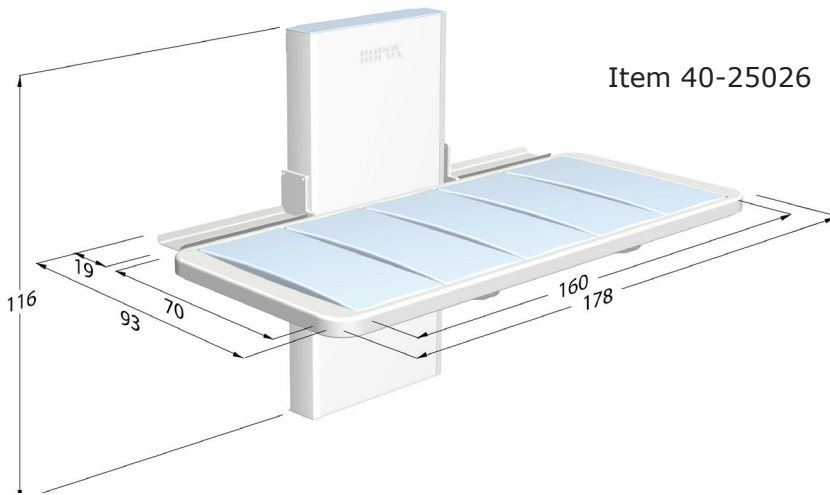
- The height adjustment helps transfers to and from a bed, wheelchair or standing position.
- Carers benefit from:
 - A perfect, comfortable working height.
 - A water tray that catches most of the shower water - so carers stay drier.
 - Space below the bed for closer access.
- The polyurethane covered slats are easily wiped clean after use.
- They can be lifted out of the tray for thorough cleaning.
- If preferred, a softer foam pad can be used by turning the slats over.
- Folds up when not in use for optimal use of valuable room space.
- Maximum load 150kg.

HUDSON Changing and Shower Bed

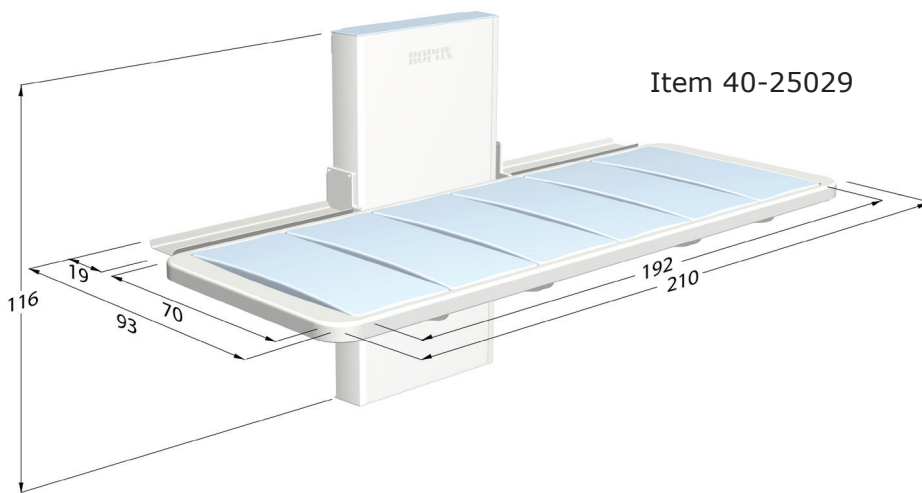
Height adjustable changing/shower bed, range 30-100 cm.



Item 40-25023



Item 40-25026



Item 40-25029

Standard hand control provided with bed
Item 97000425



Flexible water connection and trap
Item 40-25732



Accessories:

Bed guard, slides below the bed



Item 40-25033 94cm
- for bed 146cm.

Item 40-25036 126cm
- for bed 178cm.

Item 40-25039 158cm
- for bed 210cm.

ROPOX Tips

- Make sure that if a shower is to be used with the bed a "wet floor" with floor drain is used - ideally draining away from the carer.
- It is recommended to connect the flexible waste to a fixed waste pipe.



Scanflex Ltd.,
2 Thursby Road,
Croft Business Park
Bromborough
Wirral CH62 3PW
United Kingdom
t: +44 (0) 151 343 1523
f: +44 (0) 151 343 1514
e: info@scanflex.co.uk
www.scanflex.co.uk